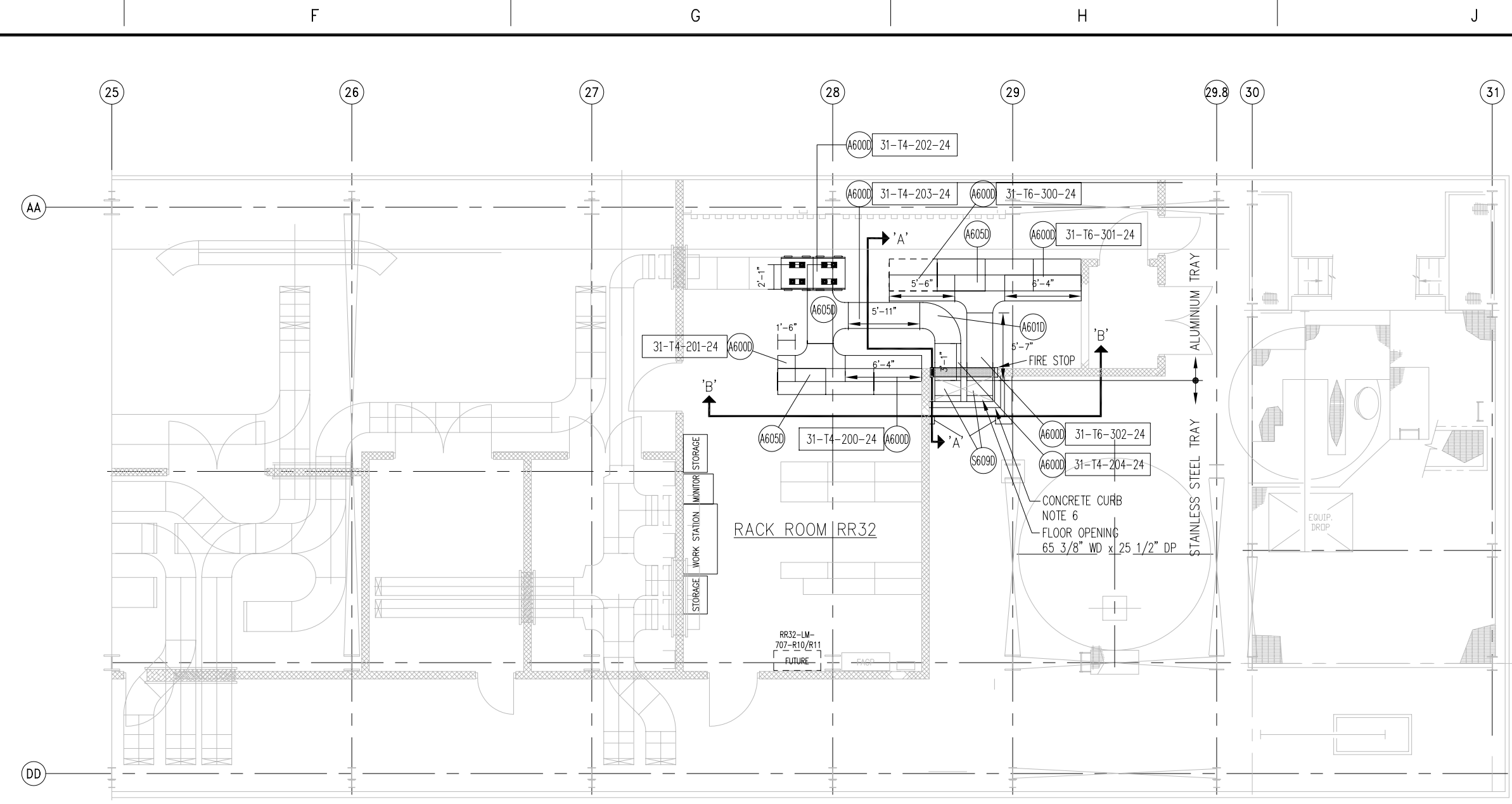
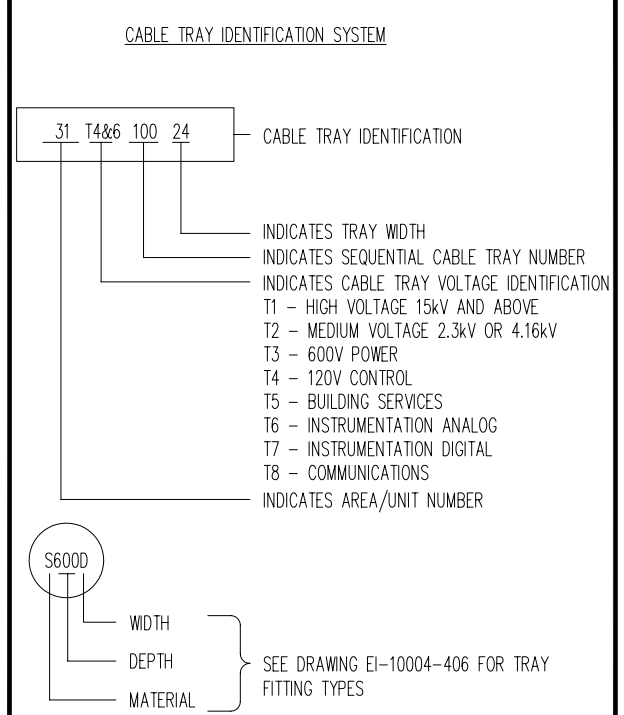


ELECTRICAL EQUIPMENT LAYOUT IN RACK ROOM RR32  
FLOOR EL. @ 144'-6"



CABLE TRAY LAYOUT @ EL.145'-6" IN RACK ROOM RR32  
FLOOR EL. @ 144'-6"



- NOTES**
- FOR CABLE TRAY BILL OF MATERIAL SEE DRAWING No. EI-10004-406.
  - CONTRACTOR TO RELOCATE OFFICE FURNITURE AND STORAGE CABINETS TO THIS WALL.
  - INSTALLATION OF NEW CABINETS IN RACK ROOM RR32 ARE IN THIS SCOPE.
  - CONTRACTOR TO CORE DRILL HOLE THROUGH FLOOR FOR TRAYS.
  - WALL AND DOOR PROVIDED BY OTHERS.
  - CONTRACTOR TO INSTALL CONCRETE CURB AS PER MILL STANDARD.

**SYSTEM CABINET LEGEND**

RR32-FL3-4F	- (HPM 1005)
RR32-FL3-4R	- (HPM 1009)
RR32-FL3-5F	- (LM 1007)
RR32-FL3-5R	- (LM 1011)

ISSUED FOR CONSTRUCTION  
10004-SP-03  
17 NOVEMBER 2000

NO.	DATE	BY	DESCRIPTION	CHKD.
1	17NOV 2000	AWL	ISSUED FOR CONSTRUCTION FOR PHASE 2 CONTRACT. ADDED TRAY FILL DETAILS & REVERSED TRAYS 14 AND 16 AS SHOWN ON DRAWING.	
0	25AUG 2000	AWL	CONSTRUCTION	
A	04AUG 2000	AWL	QUOTATION	

**REVISIONS**

NO.	DATE	BY	DESCRIPTION	CHKD.

**REFERENCE DRAWINGS**

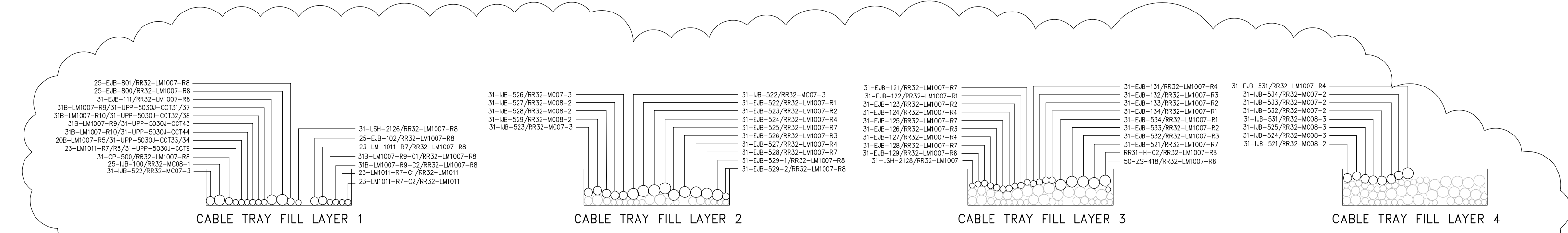
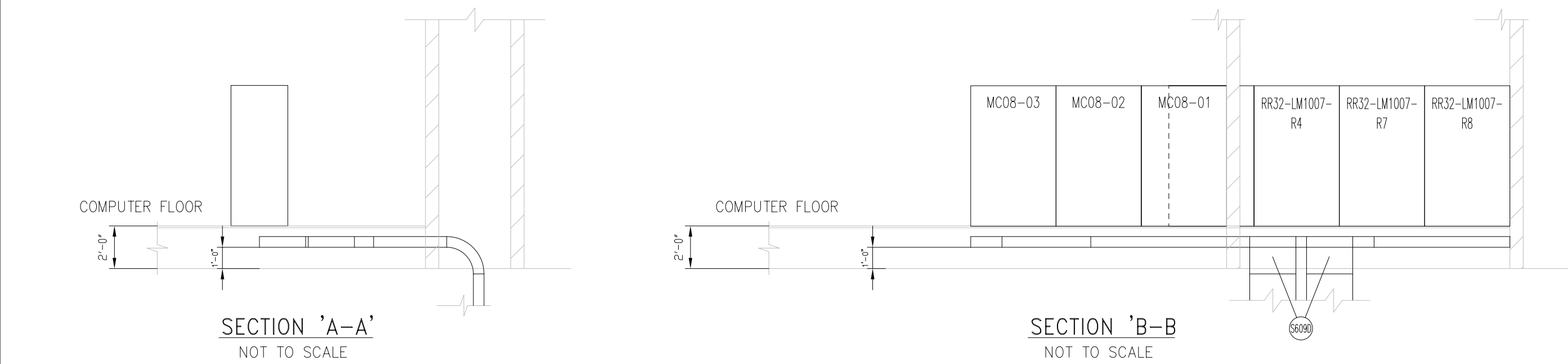
NO.	DATE	BY	DESCRIPTION	CHKD.

DESIGNED	DATE	AWL

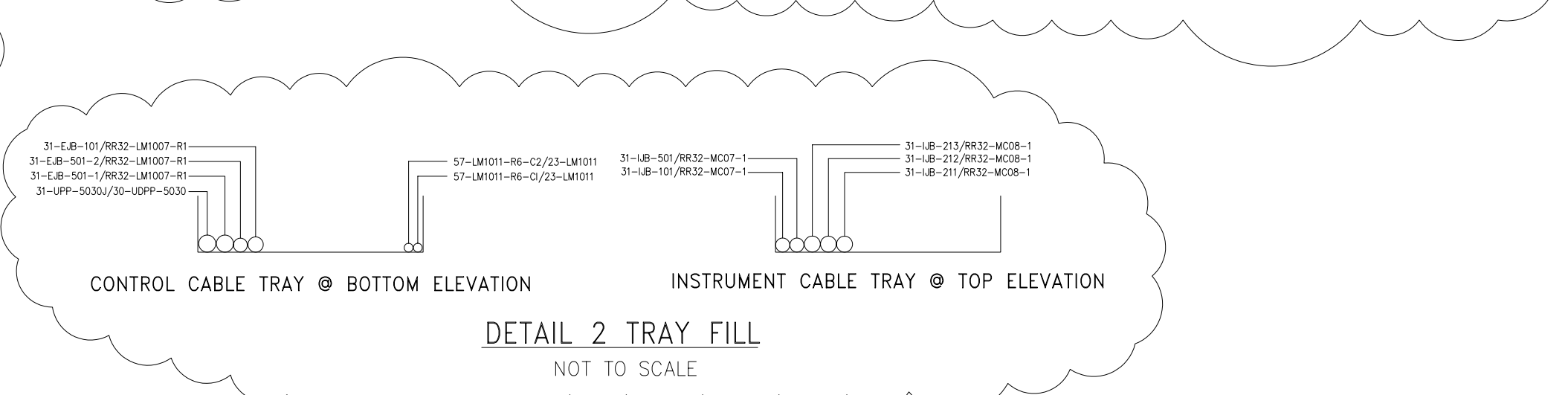
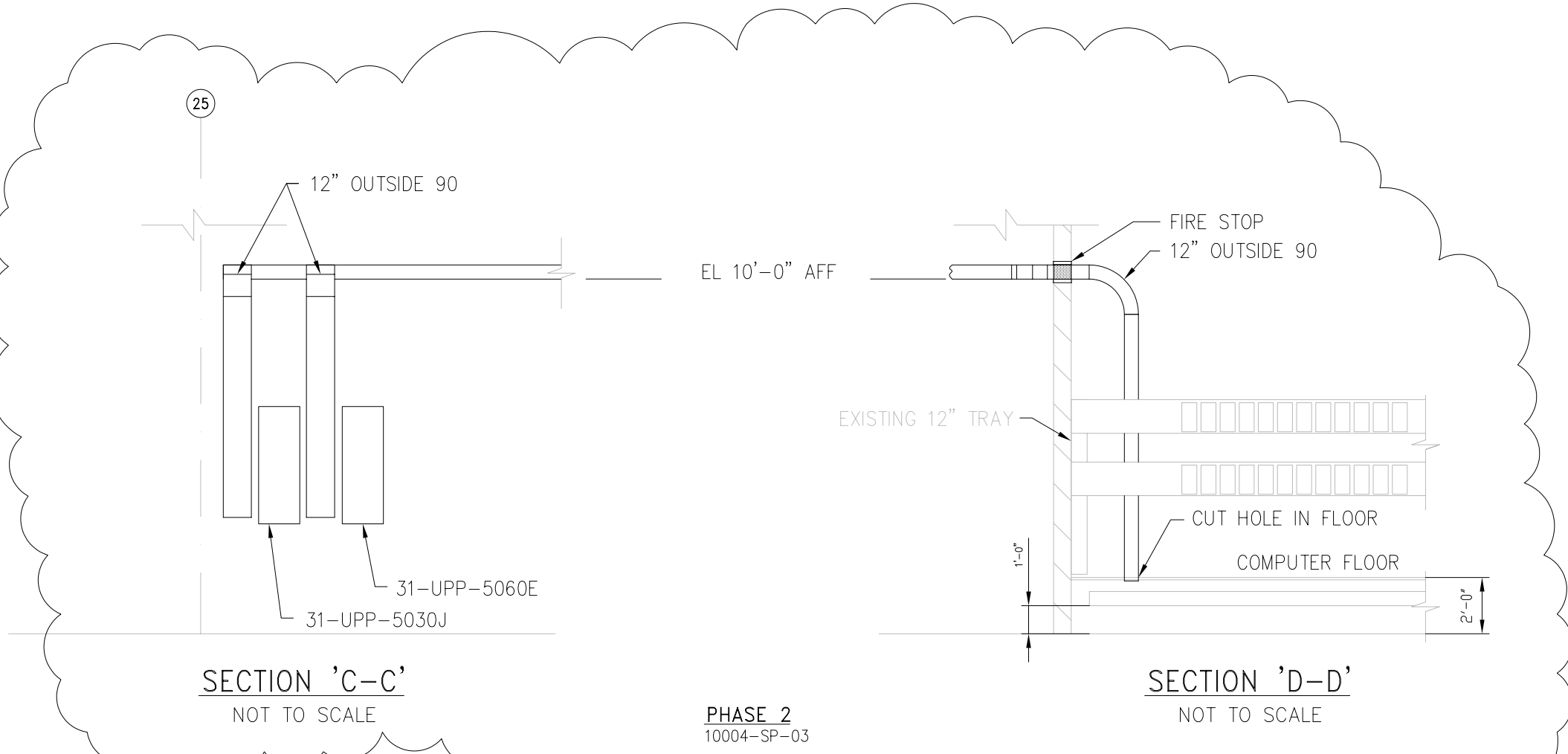


**CABLE TRAY LAYOUT AT RACK ROOM RR32D AND FLOOR ELEVATIONS 144'-6" AND 107'-11"**

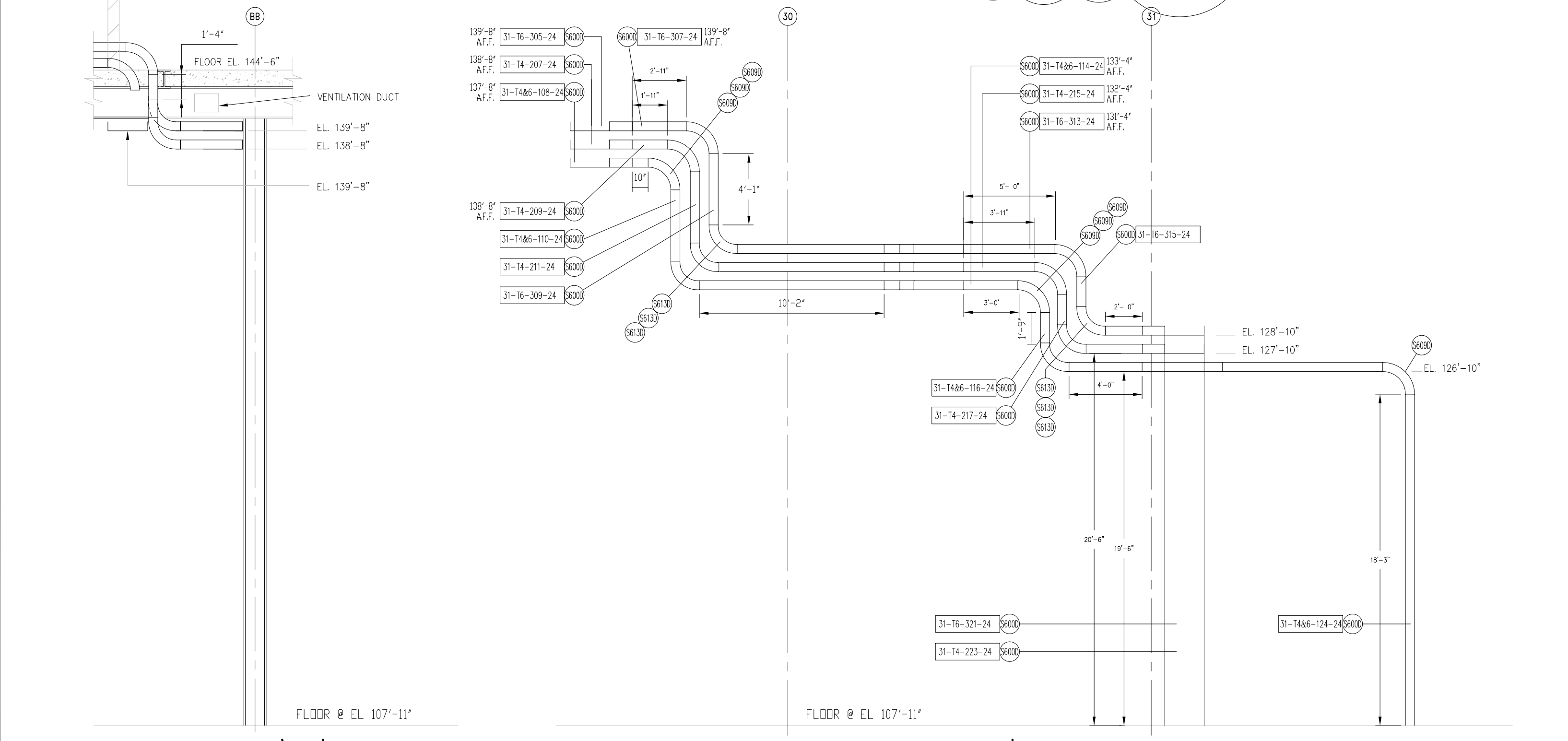
JOB No.	10004	CONSULTANT DWG. No.	EI-10004-400
IPPL DWG. No.	3-1-XXX	SHT.	6/14



PHASE 2  
10004-SP-03  
DETAIL 1 TRAY FILL  
NOT TO SCALE

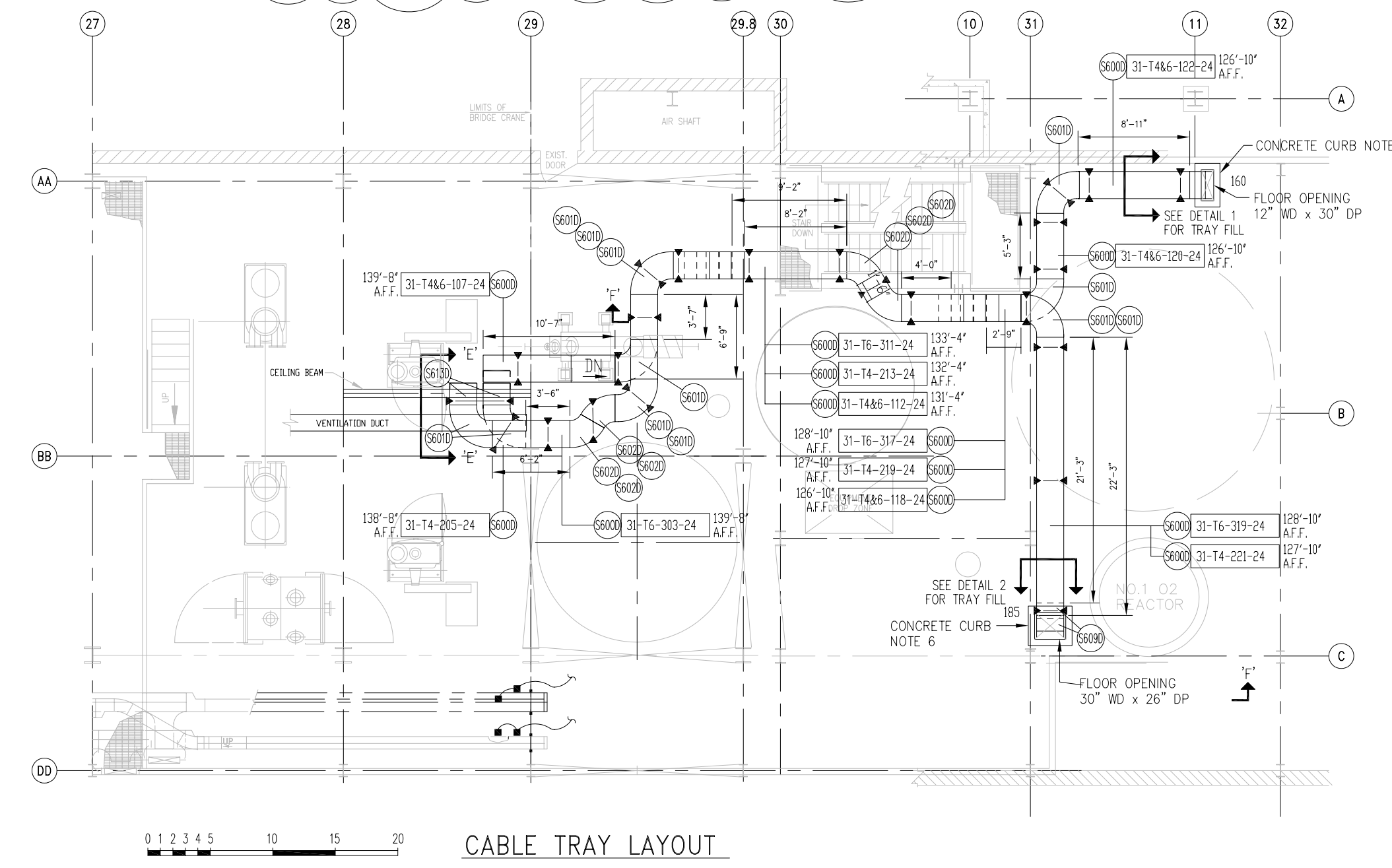


DETAIL 2 TRAY FILL  
NOT TO SCALE



SECTION 'E-E'  
NOT TO SCALE

SECTION 'F-F'  
NOT TO SCALE



CABLE TRAY LAYOUT  
FLOOR EL. @ 107'-11"